



2M801 Dual-Start ACME Threads

Dualok 2M801

Dualok

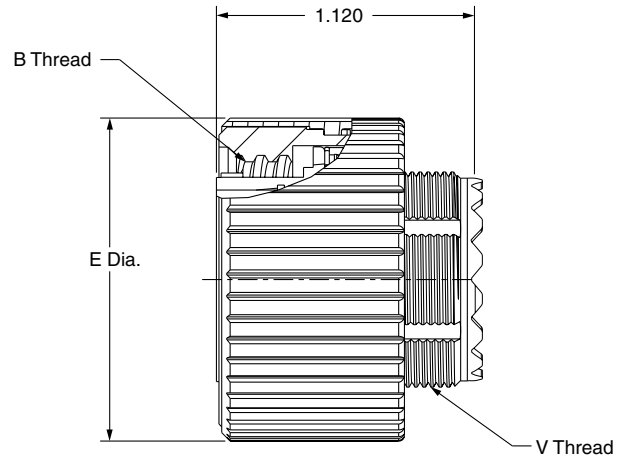
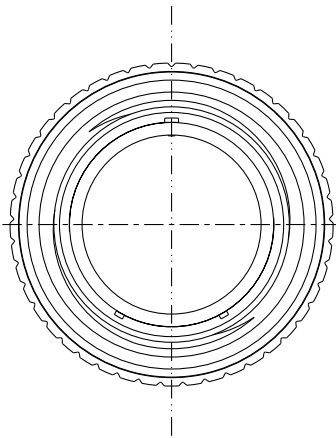
Amphenol now offers a *Dualok* Plug for High Vibration Applications!

Meets or Exceeds MIL-DTL-38999 Series III Vibration Levels

Amphenol's 2M801 DUALOK line is now available for extreme vibration applications. The NEW! 2M DUALOK plug features a newly developed locking mechanism which ensures solid coupling and metal-to-metal bottoming in the most severe vibration environments. Patent pending.

Consult Amphenol Aerospace for ordering information.

NEW!



Shell Size	E DIA.		B Thread	V Thread
	In.	mm.		
5	.653	16.59	.3125-.05P-1L-2B	.2500-32 UNEF-2A
6	.715	18.16	.3750-.05P-1L-2B	.3125-32 UNEF-2A
7	.868	22.05	.4375-.05P-1L-2B	.4375-28 UNEF-2A
8	.930	23.62	.5000-.05P-.1L-2B	.5000-28 UNEF-2A
9	.993	25.22	.5625-.05P-.1L-2B	.5625-24 UNEF-2A
10	1.060	26.92	.6250-.05P-1L-2B	.6250-24 UNEF-2A
13	1.153	29.29	.8125-.1P-.2L-2B	.6875-24 UNEF-2A
16	1.340	34.04	1.0000-.1P-.2L-2B	.9375-20 UNEF-2A
17	1.402	35.61	1.0625-.1P-.2L-2B	.9375-20 UNEF-2A
21	1.653	41.99	1.3125-.1p-.2L-2B	1.1875-18 UNEF-2A

- Contacts & Tools
- 2M Specs
- 2M801
- 2M803
- 2M804
- 2M805
- 2M Filter & Accessories
- HD38999
- Micro-D
- Terrapin
- Nexus