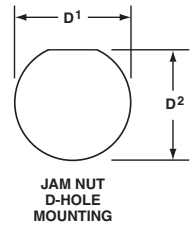
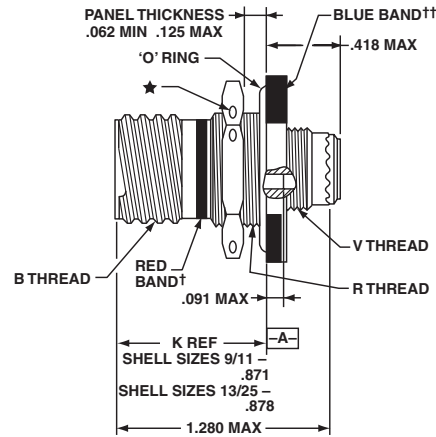
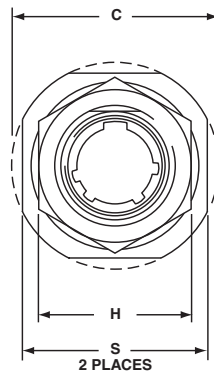


Jam Nut Receptacle

TV07() - Crimp, Metal
CTV07() - Crimp, Composite



See how to build a part number on pages 2 & 3

† Red band indicates fully mated

†† Blue band indicates rear release contact retention system.

★ .059 dia. min., 3 lockwire holes. Formed lockwire hole design (6 holes) is optional

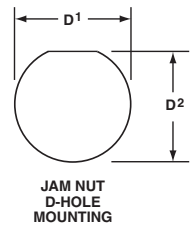
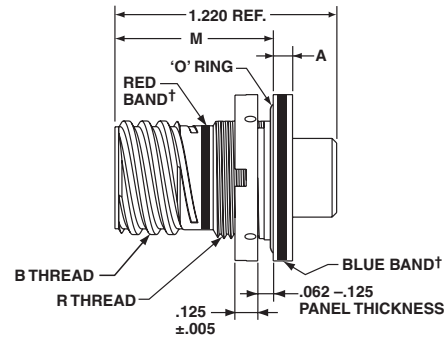
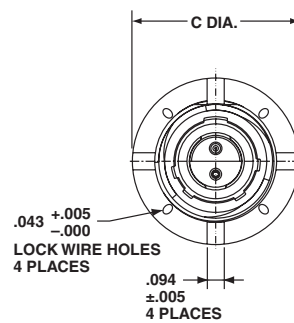
| Shell Size | MS Shell Size Code | B Thread Class 2A 0.1P-0.3L-TS (Plated) | C Max. | D ¹ +.010 -0.000 | D ² +.000 -0.010 | H Hex +.017 -0.016 | S ±.010 | V Thread Metric | R Thread (Plated) 9-7543 |
|------------|--------------------|---|--------|-----------------------------|-----------------------------|--------------------|---------|-----------------|--------------------------|
| 9 | A | .6250 | 1.199 | .693 | .657 | .875 | 1.062 | M12X1-6g | M17X1-6g |
| 11 | B | .7500 | 1.386 | .825 | .770 | 1.000 | 1.250 | M15X1-6g | M20X1-6g |
| 13 | C | .8750 | 1.511 | 1.010 | .955 | 1.188 | 1.375 | M18X1-6g | M25X1-6g |
| 15 | D | 1.0000 | 1.636 | 1.135 | 1.085 | 1.312 | 1.500 | M22X1-6g | M28X1-6g |
| 17 | E | 1.1875 | 1.761 | 1.260 | 1.210 | 1.438 | 1.625 | M25X1-6g | M32X1-6g |
| 19 | F | 1.2500 | 1.949 | 1.385 | 1.335 | 1.562 | 1.812 | M28X1-6g | M35X1-6g |
| 21 | G | 1.3750 | 2.073 | 1.510 | 1.460 | 1.688 | 1.938 | M31X1-6g | M38X1-6g |
| 23 | H | 1.5000 | 2.199 | 1.635 | 1.585 | 1.812 | 2.062 | M34X1-6g | M41X1-6g |
| 25 | J | 1.6250 | 2.323 | 1.760 | 1.710 | 2.000 | 2.188 | M37X1-6g | M44X1-6g |

Inches

All dimensions for reference only

Reduced Flange Jam Nut Receptacle

TV97() - Crimp, Metal



See how to build a part number on pages 2 & 3

† Red band indicates fully mated

†† Blue band indicates rear release contact retention system.

Inches

| Shell Size | MS Shell Size Code | B Thread Class 2A 0.1P-0.3L-TS (Plated) | A +.010 -0.005 | C Dia. Max. | D ¹ +.010 -0.000 | D ² +.000 -0.010 | M | R Thread (Plated) 9-7543 |
|------------|--------------------|---|----------------|-------------|-----------------------------|-----------------------------|------|--------------------------|
| 9 | A | .6250 | .104 | .915 | .693 | .657 | .871 | M17X1-6g |
| 11 | B | .7500 | .104 | 1.042 | .825 | .770 | .871 | M20X1-6g |
| 13 | C | .8750 | .104 | 1.240 | 1.010 | .955 | .878 | M25X1-6g |
| 15 | D | 1.0000 | .104 | 1.357 | 1.135 | 1.085 | .878 | M28X1-6g |
| 17 | E | 1.1875 | .104 | 1.630 | 1.260 | 1.210 | .878 | M32X1-6g |
| 19 | F | 1.2500 | .135 | 1.816 | 1.385 | 1.335 | .878 | M35X1-6g |
| 21 | G | 1.3750 | .135 | 1.942 | 1.510 | 1.460 | .878 | M38X1-6g |
| 23 | H | 1.5000 | .135 | 2.067 | 1.635 | 1.585 | .878 | M41X1-6g |
| 25 | J | 1.6250 | .135 | 2.190 | 1.760 | 1.710 | .878 | M44X1-6g |