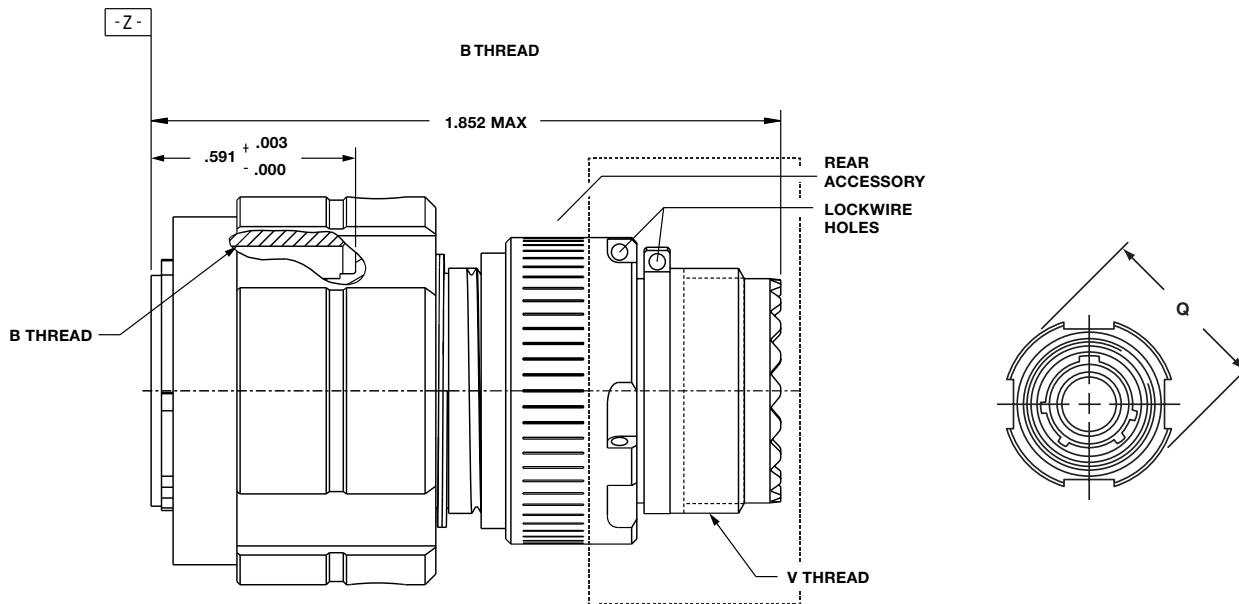


OCS (Oval Contact System) Connectors

TV06R - Crimp, Metal

CTV06R - Crimp, Composite

Straight Plug

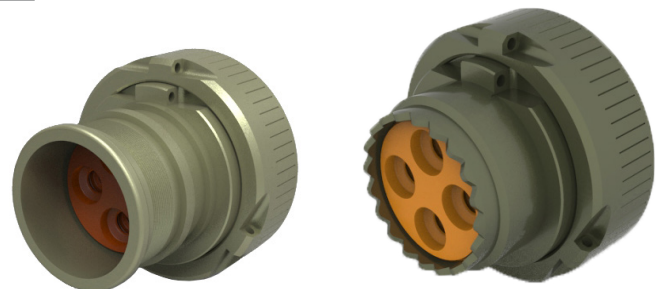


| Shell Size | B Thread 0.1P-0.3L-TS-2B (Plated) | Q Dia. Max. | V Thread Metric |
|------------|--------------------------------------|-------------|--------------------|
| 9 | .6250 | .858 | M12X1-6g |
| 11 | .7500 | .984 | M15X1-6g |
| 13 | .8750 | 1.157 | M18X1-6g |
| 15 | 1.0000 | 1.280 | M22X1-6g |
| 17 | 1.1875 | 1.406 | M25X1-6g |
| 19 | 1.2500 | 1.516 | M28X1-6g |
| 21 | 1.3750 | 1.642 | M31X1-6g |
| 23 | 1.5000 | 1.768 | M34X1-6g |
| 25 | 1.6250 | 1.890 | M37X1-6g |

All dimensions for reference only.

The rear accessory shown above is provided kitted with each connector and is for environmental sealing. The grommet included is insert arrangement specific, shown at right is the 13-53 pattern.

The provided grommet assembly will accommodate cable diameters ranging from Ø.124 to Ø.175. Larger diameters may work based on cable construction.



Integral Backshell Style

Threaded Backshell Style