

REV. A		SHEET 1 OF 1		DOCUMENT NO. 21-033385-381	
REVISIONS					
LTR	DESCRIPTION			DATE	
A	INITIAL RELEASE			---	

21-033385-381

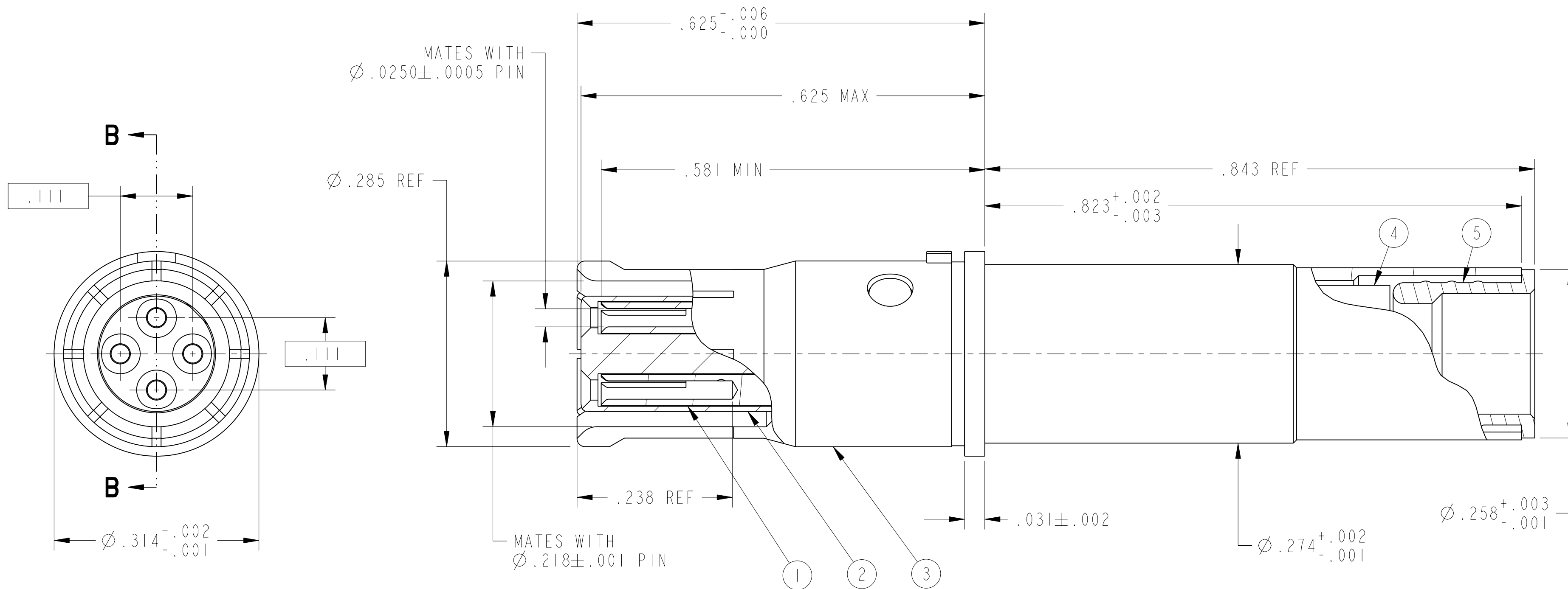
SHEET 1 OF 1

REV. A

C

B

A



PARTIAL SECTION B-B

7. MATES WITH D38999 QUADRAX PINS 21-033384-( ).
6. CRIMPING TOOLS:  
 OUTER CONTACT- M22520/5-01 TOOL, M22520/5-45 DIE SET (HEX CLOSURE A)  
 INNER CONTACTS- M22520/2-01 TOOL, DANIELS K709 (M22520/2-37) POSITIONER
5. TERMINATES QUADRAX CABLE PIC USB2422 (90 OHM) OR EQUIVALENT.
4. DRAWING ILLUSTRATES FINAL ASSEMBLY. CONTACT COMPONENTS ARE SHIPPED UNASSEMBLED  
 INSTALLATION INSTRUCTIONS & PIGGYBACK GROMMET SEAL (NOT ILLUSTRATED) ARE  
 PACKAGED WITH EACH ASSEMBLY. PACKAGE PER PRODUCTION PROCESS SHEET.
3. MATERIALS:  
 OUTER & INNER CONTACTS- BERYLLIUM COPPER PER ASTM-B-196  
 SHIELD FERRULE- BRASS PER ASTM B453 OR QQ-B-626  
 FRONT INSULATOR & SPACER INSULATOR- TFE RESIN PER ASTM 3651
2. FINISH:  
 GOLD PLATED IN ACCORDANCE WITH SAE AS 39029.  
 OVER NICKEL PLATE PER QQ-N-290 (.000050 MIN).
1. CONTACTS MEET THE ENVELOPE DIMENSIONAL REQUIREMENTS OF M39029/91.

NOTES:

THE USE OF THIS DOCUMENT IS UNLIMITED. HOWEVER, DOCUMENTS REFERENCED HEREON MAY CONTAIN LIMITED RIGHTS DATA.

RELEASED / Jan . 10 2014, 9:53:06 AM

21-033385-381

SHEET 1 OF 1

REV. A

N/A

NEXT ASSEMBLY

PRO/ENGINEER INFORMATION

Pro/e Model Used:  
21-033385-381.ASSEM  
Drawing Name:  
21-033385-381

UNLESS OTHERWISE SPECIFIED

LINEAR DIMENSIONS ARE IN INCHES  
TOLERANCES:  
.XXXX = ±.0005 ANGLES= ±2°  
.XXX = ±.010  
.XX = ±.03  
.X = ±.1

DIM. & TOL. PER ASME Y14.5M;  
DRM PER MIL-DTL-31000;  
OTHER Amphenol Stds. PER 9-3800  
LEGENDS:  
=FLAG NOTE CALL OUT  
REFERENCE ONLY

SPECIFICATIONS

MATERIAL SPEC.

N/A

PROCESS SPEC.

N/A

POS	QTY	PART NUMBER	DESCRIPTION	NOTE
7	1	L-2119-EU	INSTALLATION INSTRUCTIONS	4
6	1	21-033321-030	PIGGYBACK GROMMET SEAL	4
5	1	21-033384-386	SHIELD FERRULE	
4	1	21-033382-005 OR 21-033382-025	SPACER INSULATOR	
3	1	21-033385-044	OUTER CONTACT	
2	1	21-033385-043	FRONT INSULATOR	
1	4	21-033385-022	INNER CONTACT	

PARTS LIST

AMPHENOL CORPORATION

40-60 DELAWARE AVENUE  
SIDNEY, N.Y. 13858

CONTACT, SOCKET, QUADRAX,  
ELECTRICAL CONNECTOR,  
TYPE D38999 I & III

APPROVALS		DATE
PREPARED BY	J. ARIKUNNEL	
ENGINEER IN CHARGE	E. HICKEY	15-Nov-13
DESIGN MANAGER	E. HICKEY	
DESIGN ACTIVITY GROUP	CI	
THIRD ANGLE PROJECTION		

SIZE	CAGE CODE	DOCUMENT NO.	REV.
C	77820	21-033385-381	A
SCALE: 8.0	REF. 21-33385-21	SHEET 1 OF 1	

Eng PDM Information For Reference Only

SHEET 1 OF 1

21-033385-381