

REV. B		SHEET 1 OF 1		DOCUMENT NO. 21-033450-001	
REVISIONS					
LTR	DESCRIPTION	DATE			
A	INITIAL RELEASE	9/12/2008			
B	(CL 1) SEE ECN B1357	----			

21-033450-001

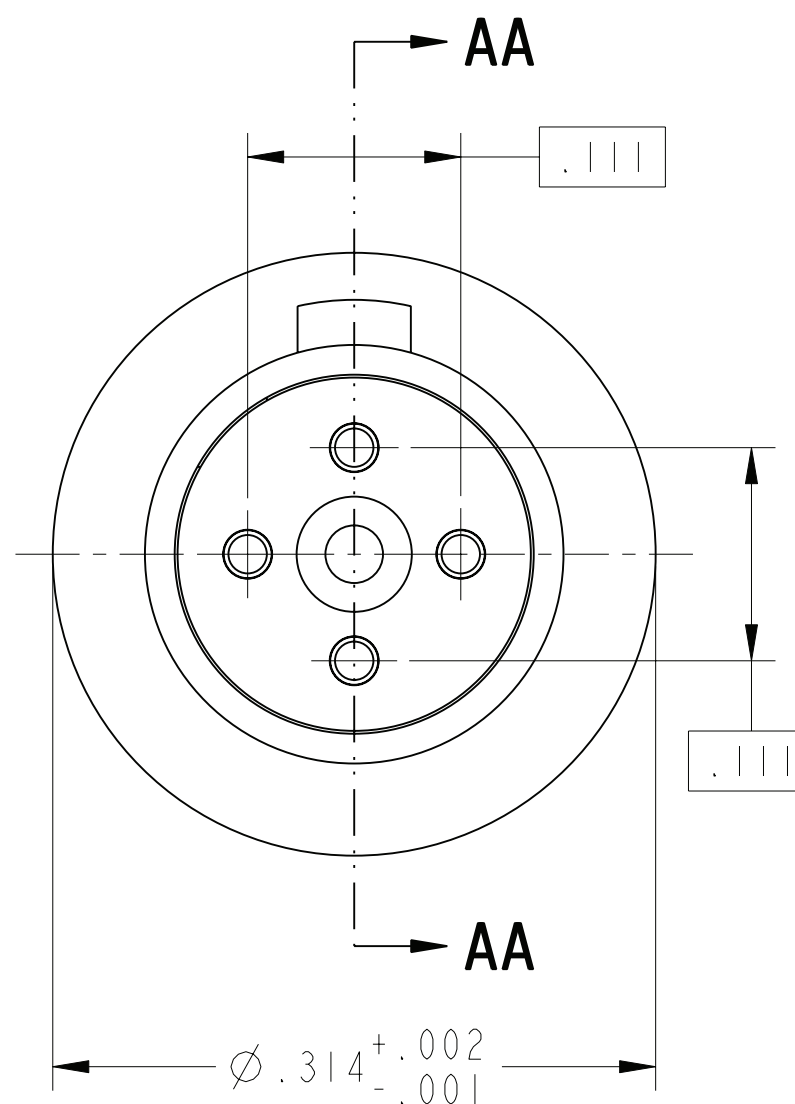
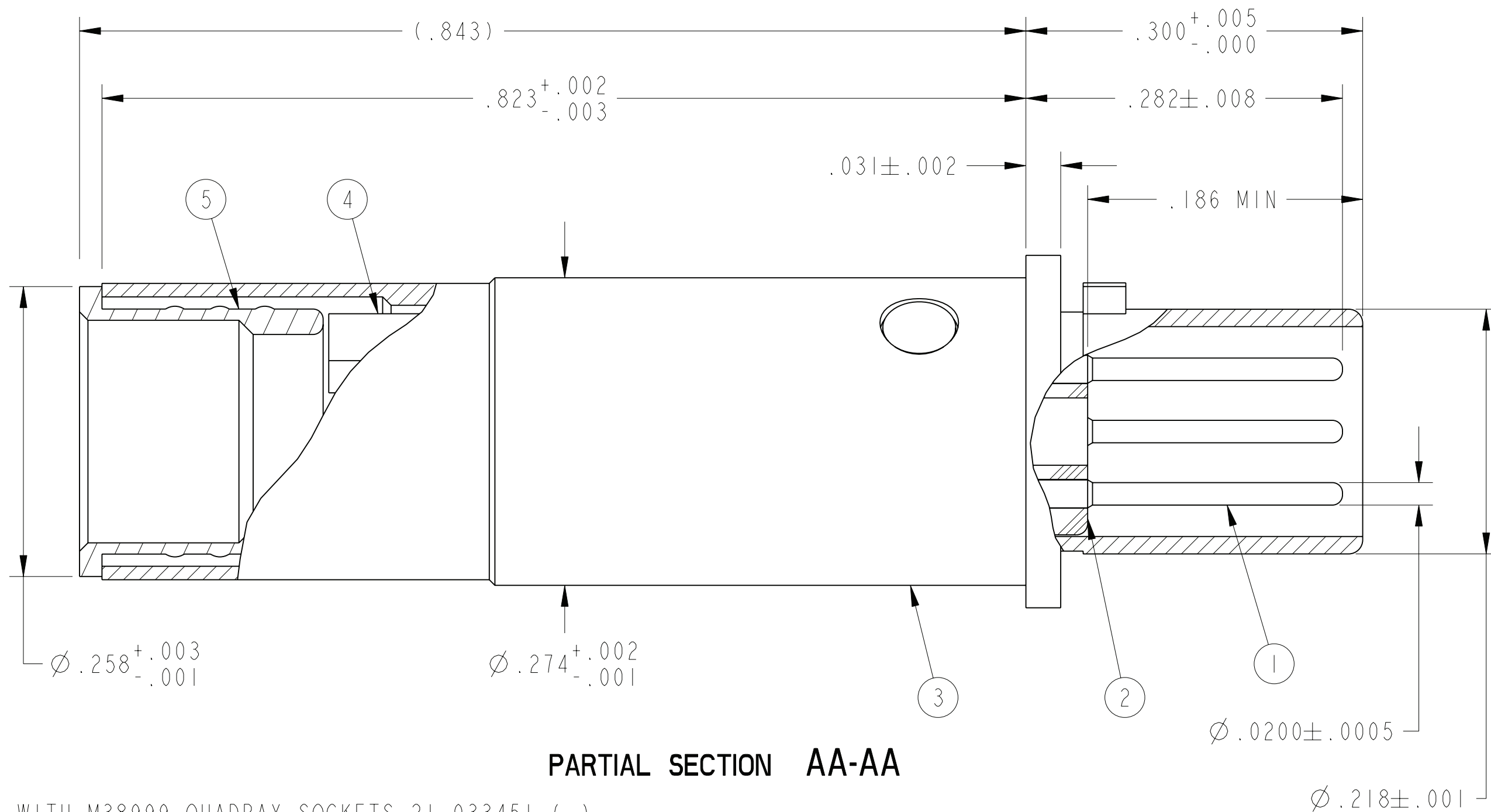
SHEET 1 OF 1

REV. B

C

B

A



PARTIAL SECTION AA-AA

- MATES WITH M38999 QUADRAX SOCKETS 21-033451-().
- CRIMPING TOOLS:
 OUTER CONTACT- M22520/5-01 TOOL, M22520/5-45 DIE SET (HEX CLOSURE A)
 INNER CONTACTS- M22520/2-01 TOOL, DANIELS K709 (M22520/2-37) POSITIONER
- TERMINATES QUADRAX CABLE TENSOLITE 26473/02006X-4(LD) (150 OHM) OR EQUIVALENT.
- DRAWING ILLUSTRATES FINAL ASSEMBLY. CONTACT COMPONENTS ARE SHIPPED UNASSEMBLED. INSTALLATION INSTRUCTIONS & PIGGYBACK GROMMET SEAL (NOT ILLUSTRATED) ARE PACKAGED WITH EACH ASSEMBLY. PACKAGE PER PRODUCTION PROCESS SHEET.
- MATERIALS:
 OUTER & INNER CONTACTS- BERYLLIUM COPPER PER ASTM-B-196
 SHIELD FERRULE- BRASS PER ASTM B453 OR QQ-B-626
 FRONT INSULATOR & SPACER INSULATOR- TFE RESIN PER ASTM 3651
- FINISH:
 GOLD PLATED PER MIL-G-45204 TYPE II, GRADE C, CLASS I (.000050 MIN)
 OVER NICKEL PLATE PER QQ-N-290 (.000050 MIN).
- CONTACTS MEET THE ENVELOPE DIMENSIONAL REQUIREMENTS OF M39029/90.

NOTES:

THE USE OF THIS DOCUMENT IS UNLIMITED. HOWEVER, DOCUMENTS REFERENCED HEREON MAY CONTAIN LIMITED RIGHTS DATA.

N/A NEXT ASSEMBLY

PRO/ENGINEER INFORMATION
 Pro/e Model Used:
 21-033450-001.ASSEM
 Drawing Name:
 21-033450-001

UNLESS OTHERWISE SPECIFIED

LINEAR DIMENSIONS ARE IN INCHES
 TOLERANCES:
 .XXXX = ±.0005 ANGLES= ±2°
 .XXX = ±.010
 .XX = ±.03
 .X = ±.1

DIM. & TOL. PER ASME Y14.5M;
 DRM PER MIL-DTL-31000;
 OTHER Amphenol Stds. PER 9-3800
 LEGENDS:
 =FLAG NOTE CALL OUT REFERENCE ONLY

SPECIFICATIONS

MATERIAL SPEC.

N/A

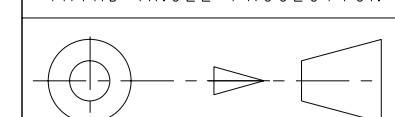
PROCESS SPEC.

N/A

POS	QTY	PART NUMBER	DESCRIPTION	NOTE
7	1	L-2119-BW	INSTALLATION INSTRUCTIONS	4
6	1	21-033321-030	PIGGYBACK GROMMET SEAL	4
5	1	21-033384-036	SHIELD FERRULE	
4	1	21-033382-005 OR 21-033382-025	SPACER INSULATOR	
3	1	21-033384-044	OUTER CONTACT	
2	1	21-033384-053	FRONT INSULATOR	
1	4	21-033450-002	INNER CONTACT	

APPROVALS	DATE
PREPARED BY D. PHILLIPS	
ENGINEER IN CHARGE RATCHFORD	22-Jul-08
DESIGN MANAGER H. JOHNSON	
DESIGN ACTIVITY GROUP MIL-AERO DEVELOP	

THIRD ANGLE PROJECTION



PARTS LIST

AMPHENOL CORPORATION
 40-60 DELAWARE AVENUE
 SIDNEY, N.Y. 13858

**CONTACT, PIN, QUADRAX,
 ELECTRICAL CONNECTOR,
 TYPE M38999 I & III**

SIZE C	CAGE CODE 77820	DOCUMENT NO. 21-033450-001	REV. B
SCALE: 10:0	REF. 21-033384-031	SHEET 1 OF 1	

VERSION 0

REVISION B

RELEASE STATE Released

REV. B

SHEET 1 OF 1

DOCUMENT NO. 21-033450-001