

REV. A	SHEET 1 OF 1	DOCUMENT NO. 21-033650-041
REVISIONS M		
LTR	DESCRIPTION	DATE
A	INITIAL RELEASE	12-Dec-2018

21-033650-041

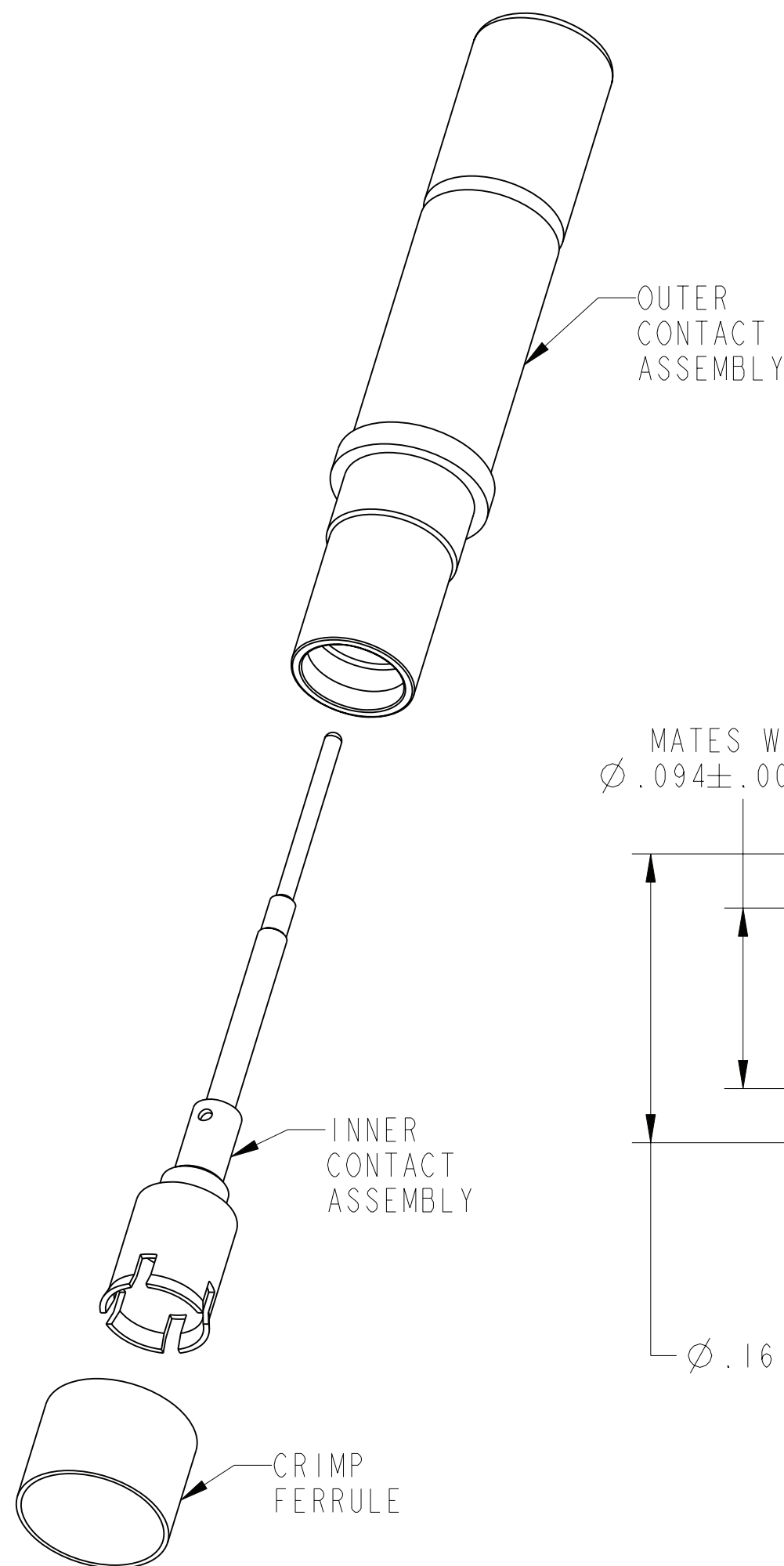
SHEET 1 OF 1

REV. A

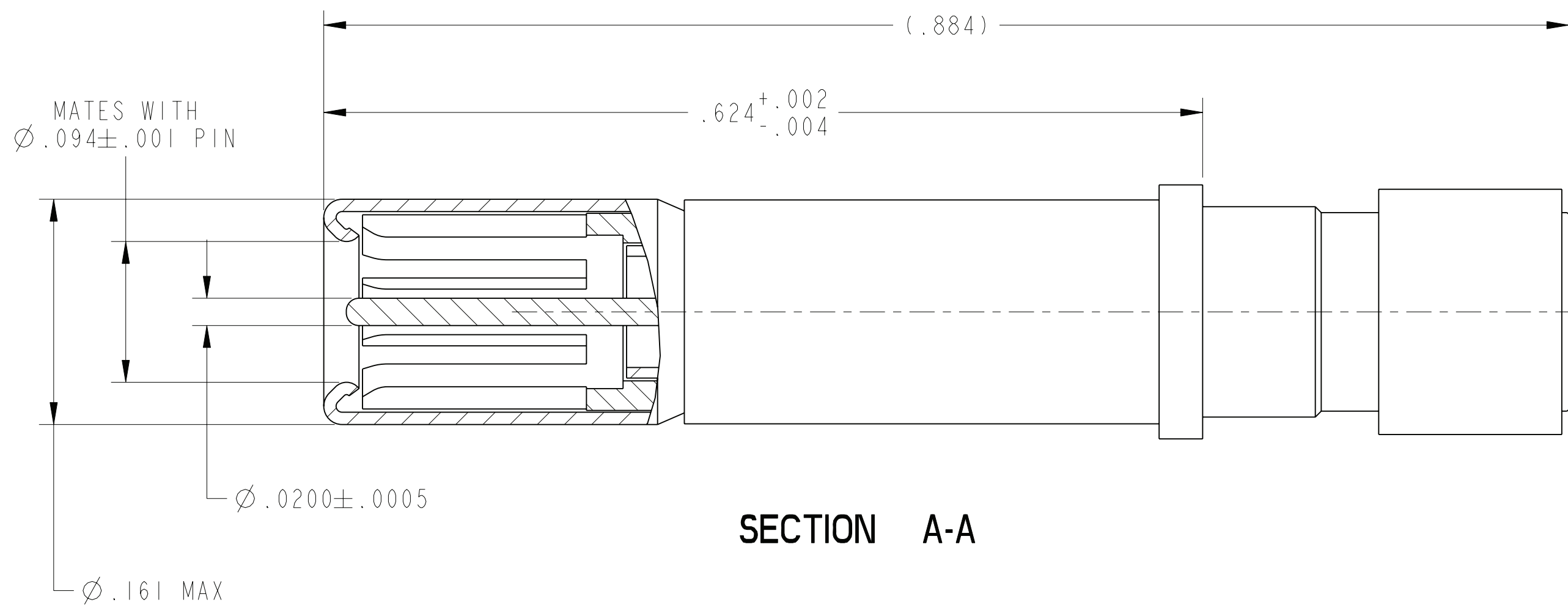
C

B

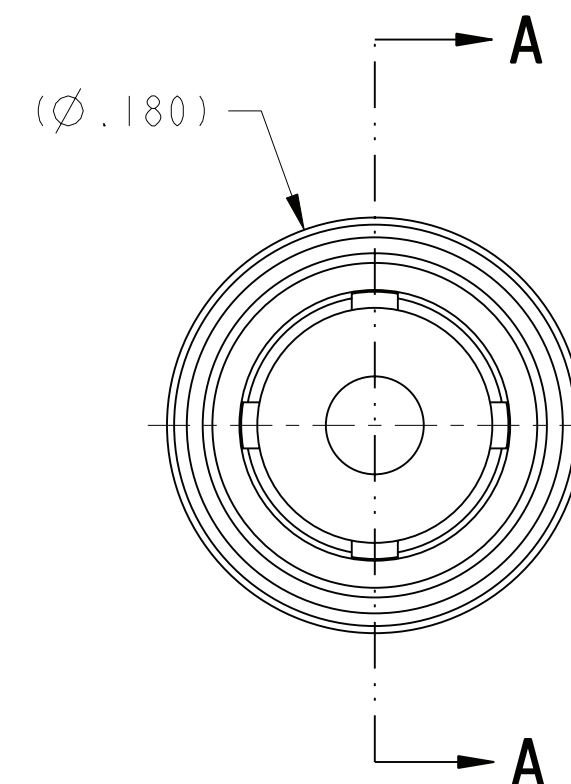
A



### EXPLODED VIEW



### SECTION A-A



- MATES WITH SIZE 12 COAXIAL PIN CONTACTS 21-033651-( ), 21-033122-( ) AND OTHERS
- MEETS THE APPLICABLE REQUIREMENTS OF M39029/75 & /103.
- CONTACT TERMINATES TO PIC S86208 COAXIAL CABLE OR EQUIVALENT.

1. COMPLETE INSTALLATION INSTRUCTIONS PACKAGED WITH EACH ASSEMBLY. DRAWING ILLUSTRATES FINAL ASSEMBLY. COMPONENTS ARE SHIPPED UNASSEMBLED. PACKAGE PER PRODUCTION PROCESS SHEET.

#### NOTES:

THE USE OF THIS DOCUMENT IS UNLIMITED. HOWEVER, DOCUMENTS REFERENCED HEREON MAY CONTAIN LIMITED RIGHTS DATA.

N/A  
NEXT ASSEMBLY

PRO/ENGINEER INFORMATION  
Pro/e Model Used:  
21-033650-041.ASSEM  
Drawing Name:  
21-033650-041

UNLESS OTHERWISE SPECIFIED	SPECIFICATIONS	POS	QTY	PART NUMBER	DESCRIPTION	NOTE
LINEAR DIMENSIONS ARE IN INCHES TOLERANCES: .XXXX = ±.0005 ANGLES= ±2° .XXX = ±.010 .XX = ±.03 .X = ±.1 DIM. & TOL. PER ASME Y14.5M; DRM PER MIL-STD-31000; OTHER Amphenol Stds. PER 9-3800 LEGENDS: =FLAG NOTE CALL OUT REFERENCE ONLY	MATERIAL SPEC.	APPROVALS		DATE	PARTS LIST	
	NONE	PREPARED BY	RATCHFORD	13-Dec-18	<b>AMPHENOL CORPORATION</b> <small>40-60 DELAWARE AVENUE SIDNEY, N.Y. 13838</small>	
PROCESS SPEC.	ENGINEER IN CHARGE	RATCHFORD	<b>CONTACT ASSEMBLY, SOCKET, COAXIAL, SIZE 12, TYPE TV-R</b>			
NONE	DESIGN MANAGER	D.WILDING	DESIGN ACTIVITY GROUP		C2	SIZE <b>C</b> CAGE CODE <b>77820</b> DOCUMENT NO. <b>21-033650-041</b> REV. <b>A</b> SCALE: 10.0 REF. 21-033650-025 SHEET 1 OF 1

FORMAT: C-0-E-1

DOCUMENT NO. 21-033650-041

SHEET 1 OF 1

REV. A

VERSION 4

REVISION A

Eng PDM Information For Reference Only

REV. A

SHEET 1 OF 1

21-033650-041