

REV. A	SHEET 1 OF 1	DOCUMENT NO. 21-033835-111
REVISIONS M		
LTR	DESCRIPTION	DATE
A	INITIAL RELEASE	-

21-033835-111

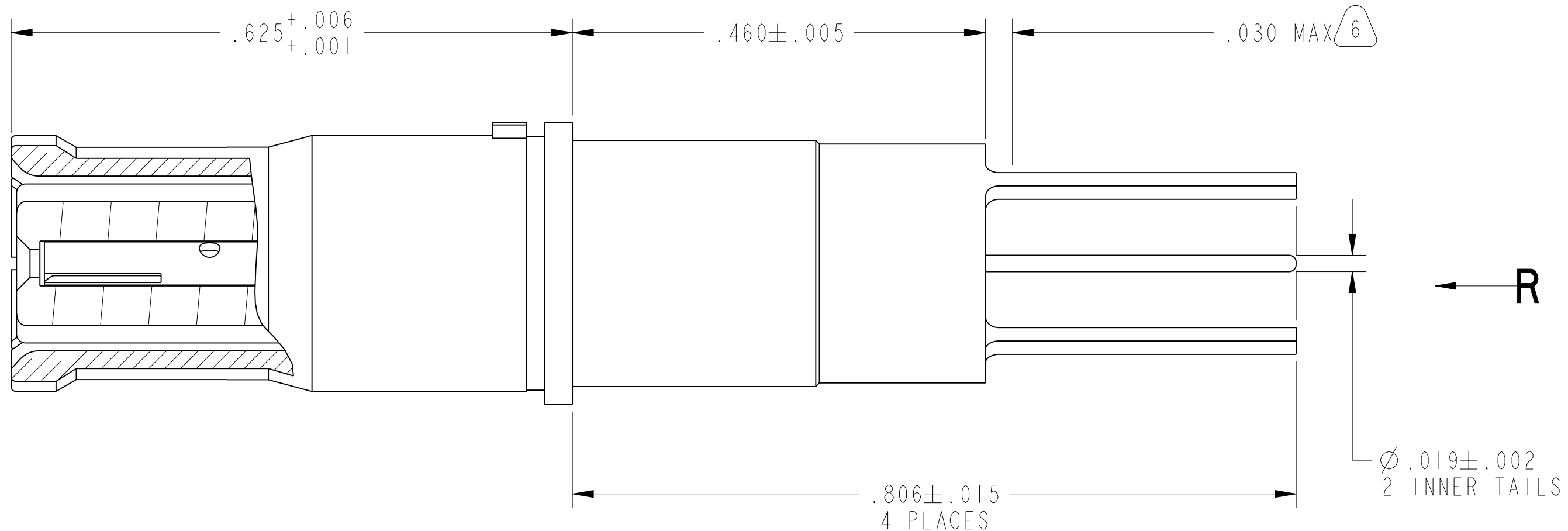
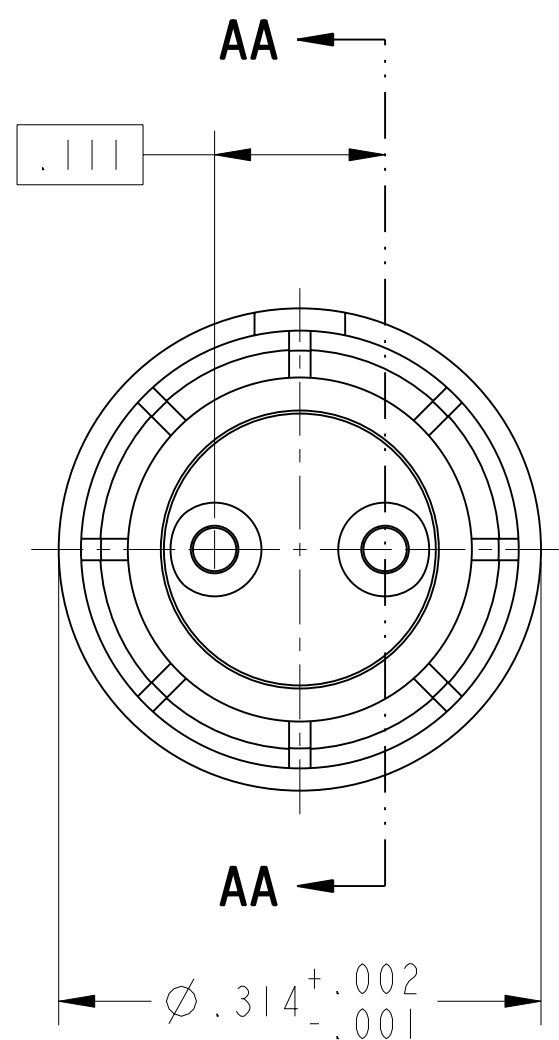
SHEET 1 OF 1

REV. A

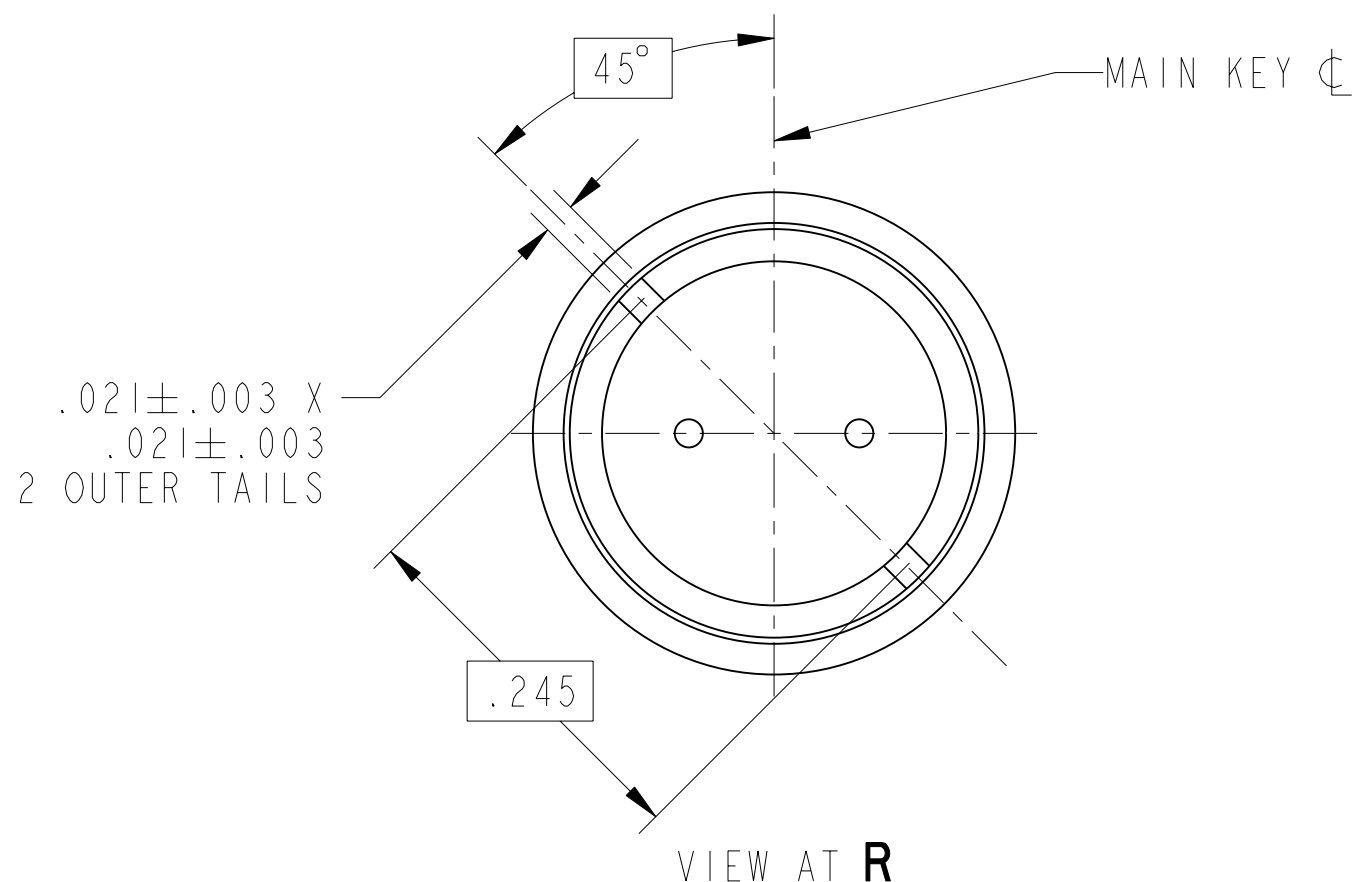
C

B

A



PARTIAL SECTION AA-AA



VIEW AT R

6. EPOXY MAY BE PRESENT ON CONTACT TAILS IN INDICATED AREA.

5. MATES WITH M38999 D. TWINAX PINS 21-033387-().

4. ALL DIMENSIONS ARE AFTER PLATING.

3. MATERIALS:

OUTER & INNER CONTACTS- BERYLLIUM COPPER PER ASTM-B-196
FRONT INSULATOR & SPACER INSULATOR- TFE RESIN PER AMS 3651
OR PFA 340 OR ASTM DI710

2. FINISH:

GOLD PLATED PER MIL-G-45204 TYPE II, GRADE C, CLASS I (.000050 MIN)
OVER NICKEL PLATE PER QQ-N-290 (.000050 MIN).

1. CONTACTS MEET THE ENVELOPE DIMENSIONAL REQUIREMENTS OF M39029/91.

NOTES:

THE USE OF THIS DOCUMENT IS UNLIMITED. HOWEVER, DOCUMENTS REFERENCED HEREON MAY CONTAIN LIMITED RIGHTS DATA.

10-646402-365X
NEXT ASSEMBLY

PRO/ENGINEER INFORMATION
Pro/e Model Used:
21-033835-111.ASSEM
Drawing Name:
21-033835-111

UNLESS OTHERWISE SPECIFIED	SPECIFICATIONS	POS	QTY	PART NUMBER	DESCRIPTION	NOTE
LINEAR DIMENSIONS ARE IN INCHES TOLERANCES: .XXXX = ±.0005 ANGLES= ±2° .XXX = ±.010 .XX = ±.03 .X = ±.1 DIM. & TOL. PER ASME Y14.5M; DRM PER MIL-STD-31000; OTHER Amphenol Stds. PER 9-3800 LEGENDS: =FLAG NOTE CALL OUT REFERENCE ONLY	MATERIAL SPEC.	PARTS LIST				
	N/A	APPROVALS PREPARED BY D. PHILLIPS ENGINEER IN CHARGE L. RATCHFORD DESIGN MANAGER J. PAUL DESIGN ACTIVITY GROUP CI DATE 23-Mar-17 AMPHENOL CORPORATION 40-60 DELAWARE AVENUE SIDNEY, NY, 13858 CONTACT, SOCKET, DIFFERENTIAL TWINAX, ELECTRICAL CONNECTOR, 100 OHM, TYPE M38999 I & III, PCB				
PROCESS SPEC.	N/A	SIZE C CAGE CODE 77820 DOCUMENT NO. 21-033835-111 REV. A SCALE: 8.0 REF. 21-033397-671 SHEET 1 OF 1				

RELEASED / Apr. 18 2017, 10:13:11 AM

DOCUMENT NO. 21-033835-111

SHEET 1 OF 1

REV. A

VERSION 4

REVISION A

Eng. PDM Information For Reference Only

REV. A

SHEET 1 OF 1

DOCUMENT NO. 21-033835-111